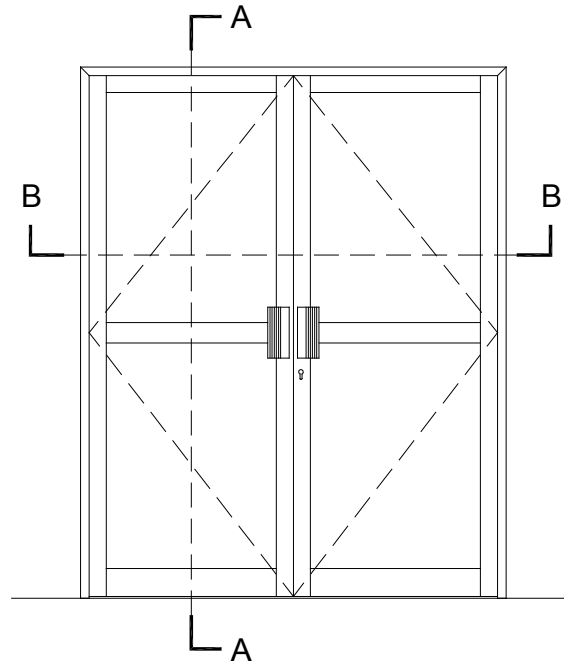
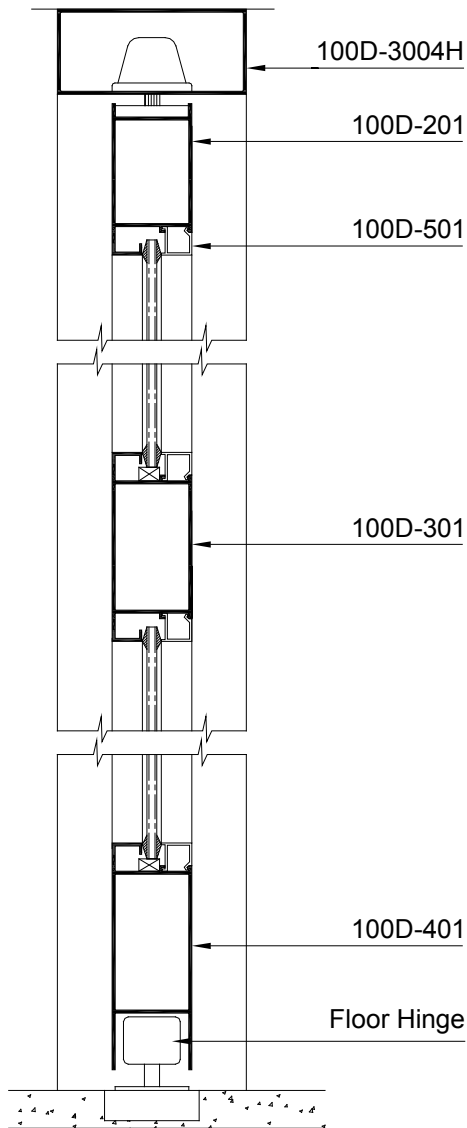
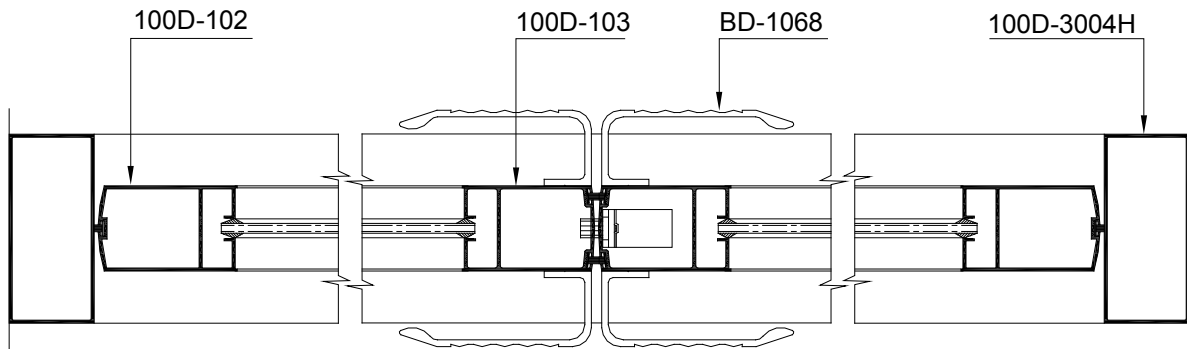


100mm Door (1.6mm Thk)



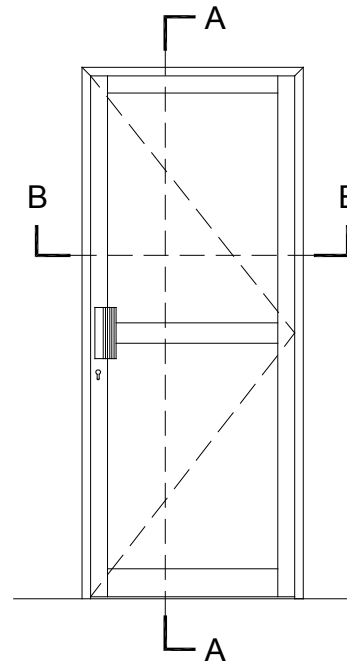
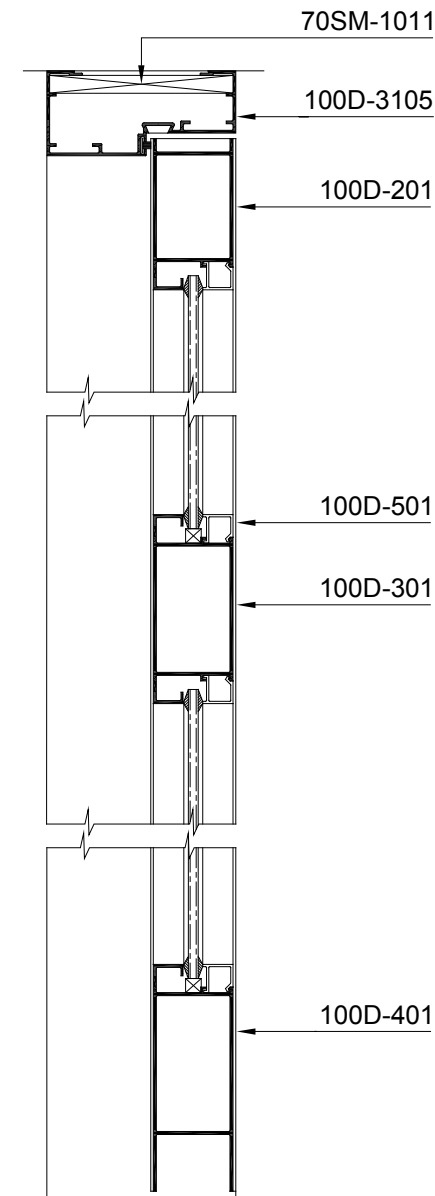
ELEVATION

SECTION :- A - A



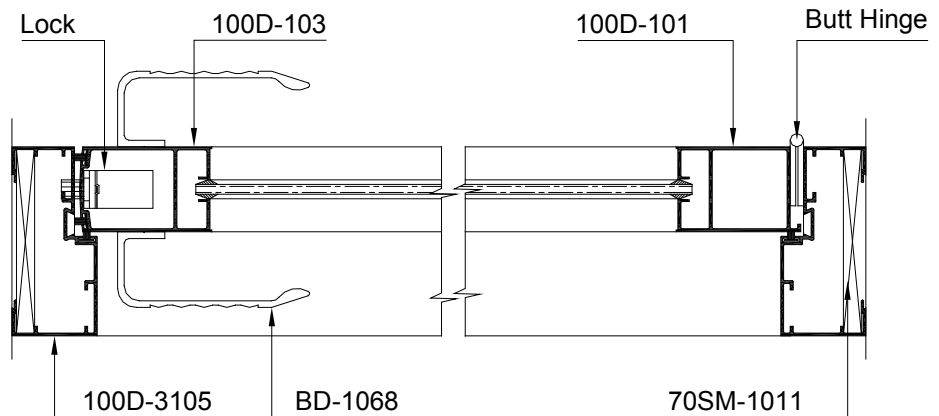
SECTION :- B - B

100mm Door (1.6mm Thk)



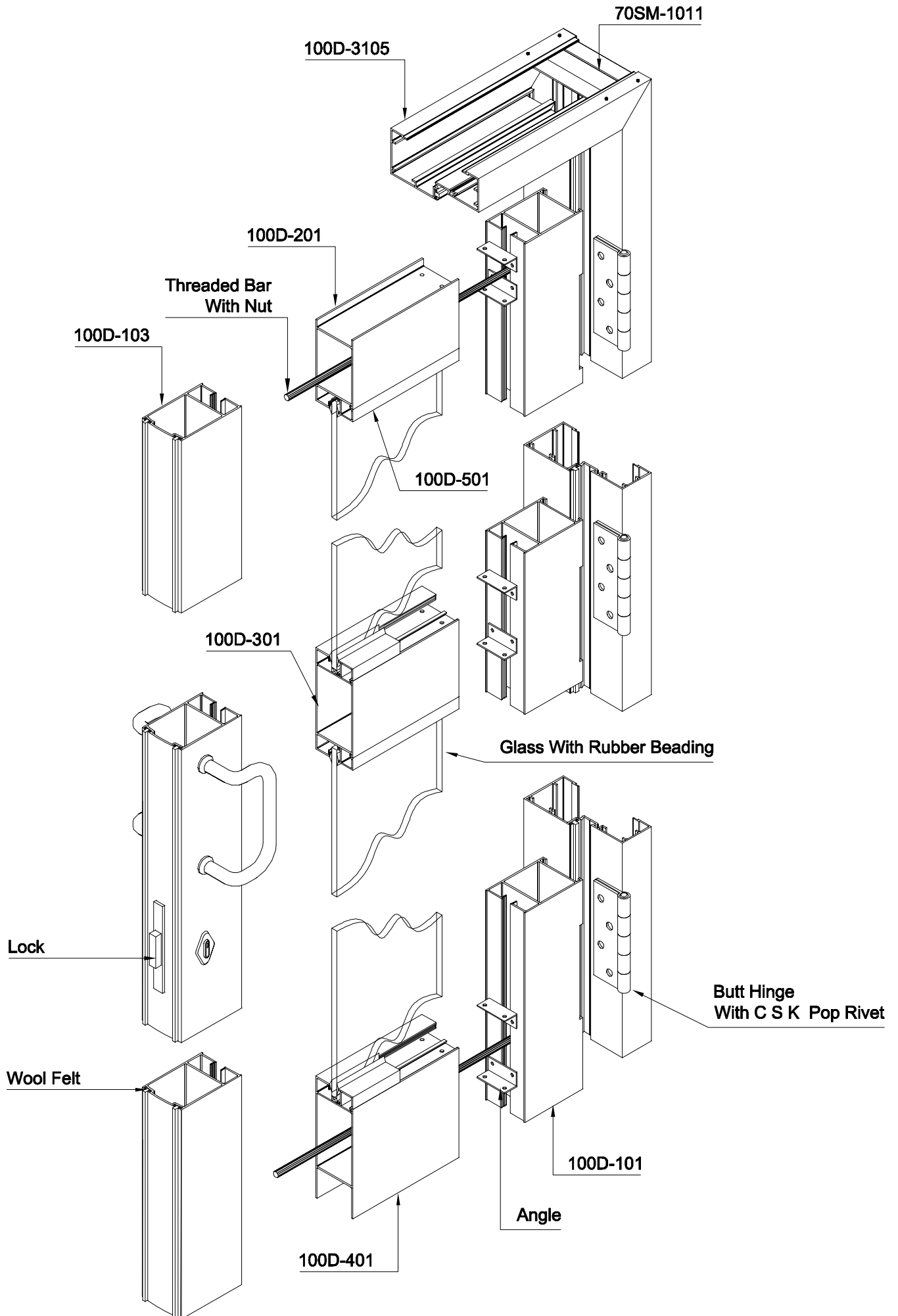
ELEVATION

SECTION :- A - A



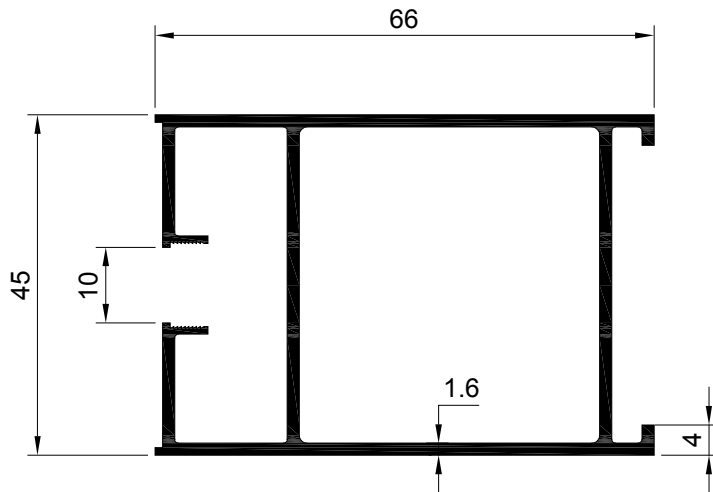
SECTION :- B - B

3D Assembly Detail Of 100mm Door

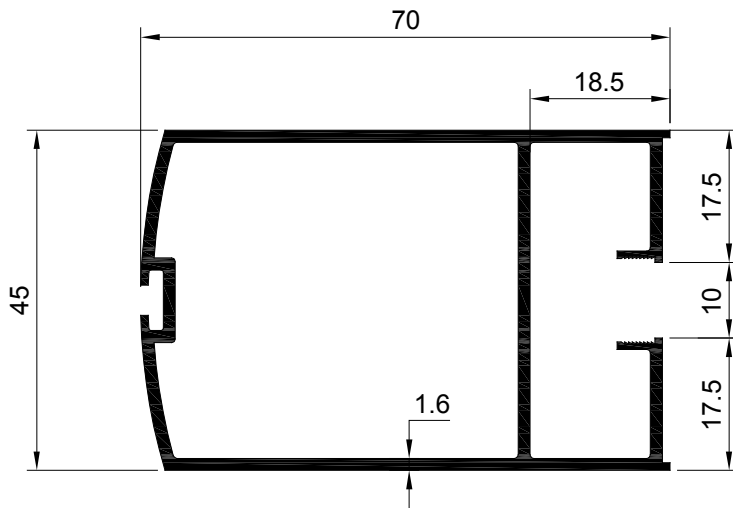


100mm Door (1.6mm Thk)

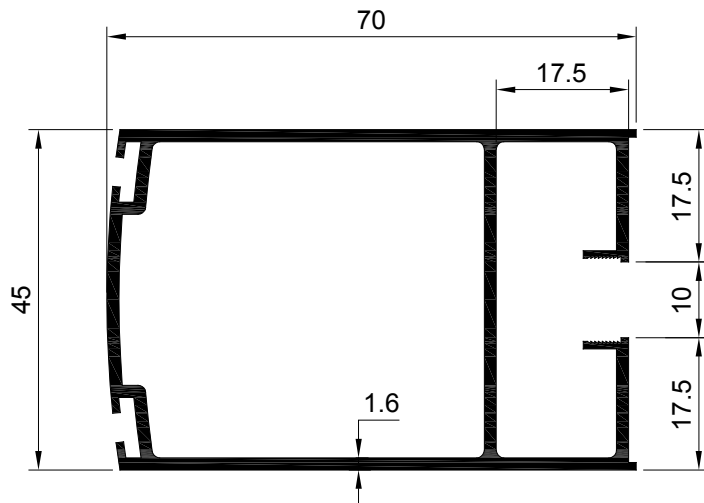
Group 07
Page 04



SECTION NO. - 100D - 101
EST. WEIGHT - 1.109 KG./M.

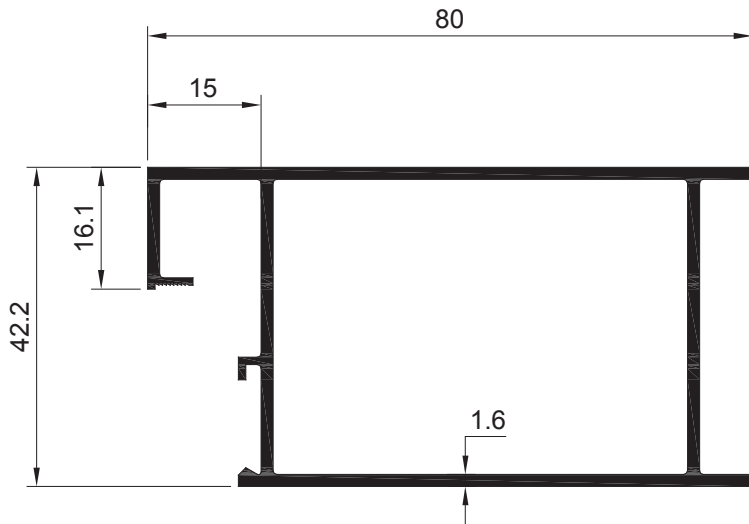


SECTION NO. - 100D - 102
EST. WEIGHT - 1.132 KG./M.

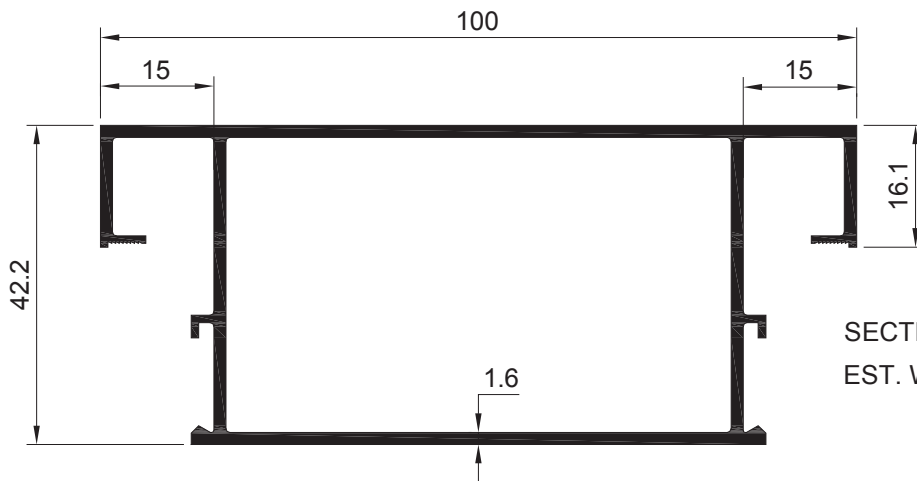


SECTION NO. - 100D - 103
EST. WEIGHT - 1.158 KG./M.

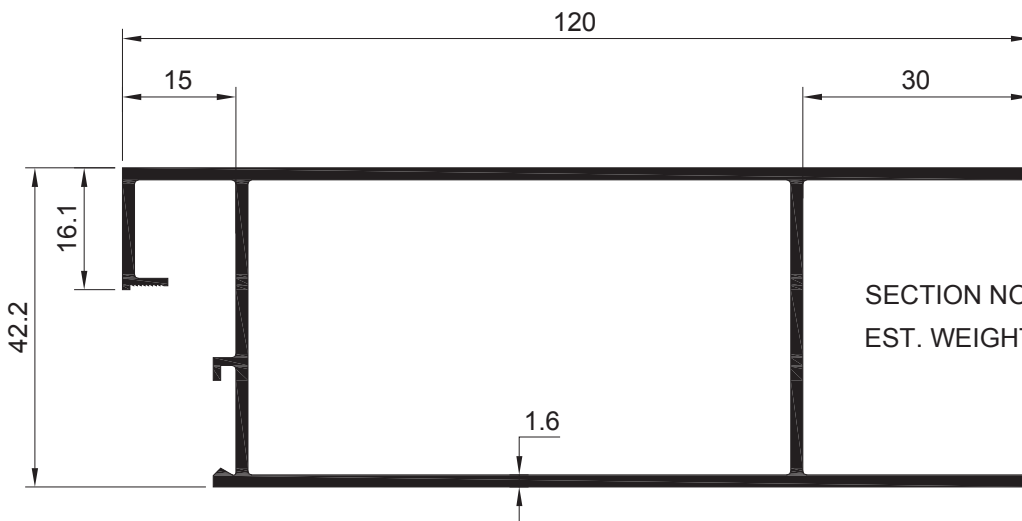
100mm Door (1.6mm Thk)



SECTION NO. - 100 D -201
EST. WEIGHT - 1.067 KG./M.



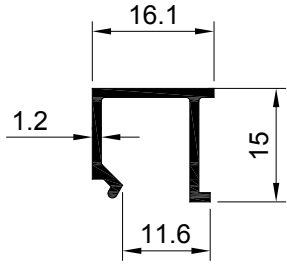
SECTION NO. - 100D - 301
EST. WEIGHT - 1.277 KG./M.



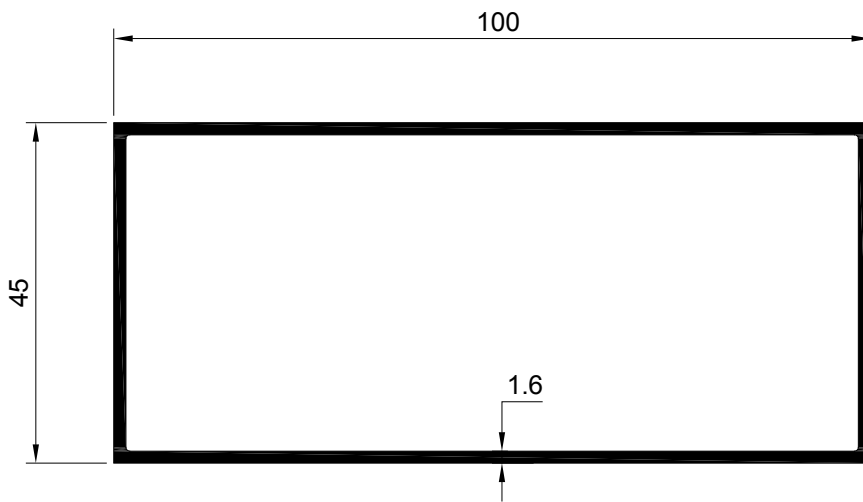
SECTION NO. - 100D - 401
EST. WEIGHT - 1.412 KG./M.

100mm Door (1.6mm Thk)

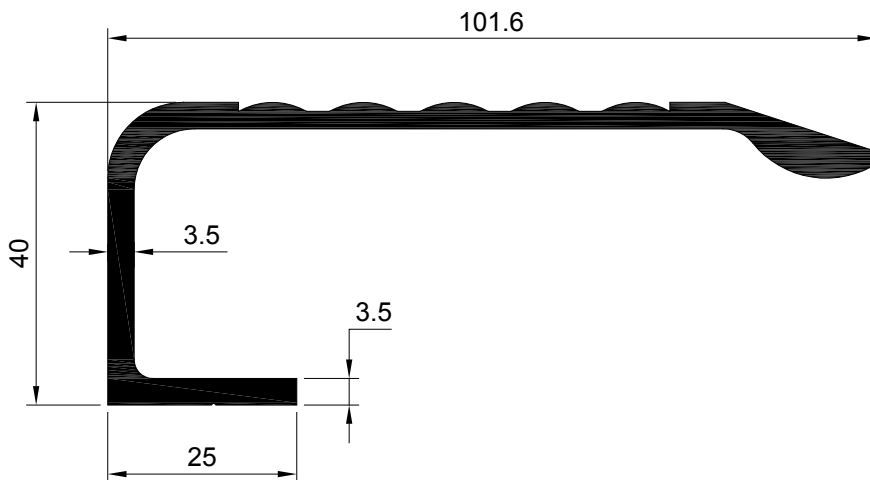
Group 07
Page 06



SECTION NO. - 100 D - 501
EST. WEIGHT - 0.152 KG./M.

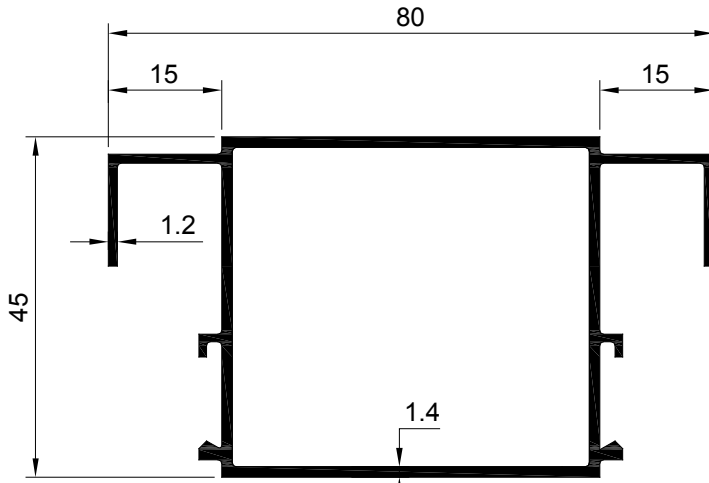


SECTION NO. - 100 D- 3004H
EST. WEIGHT - 1.226 KG./M.

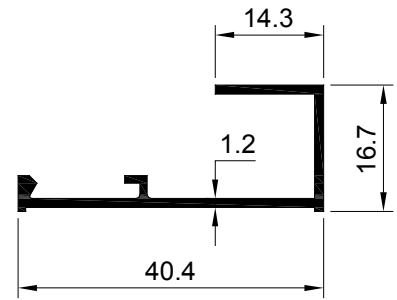


SECTION NO. - BD-1068
EST. WEIGHT - 1.474 KG./M.

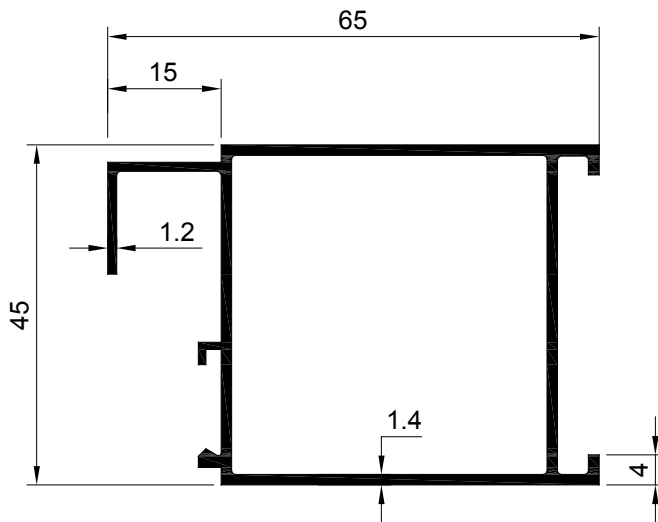
100mm Door



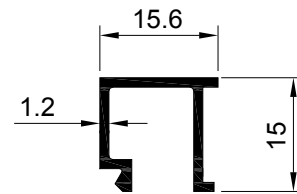
SECTION NO. - 100 D- 3004 - A
EST. WEIGHT - 0.950 KG./M.



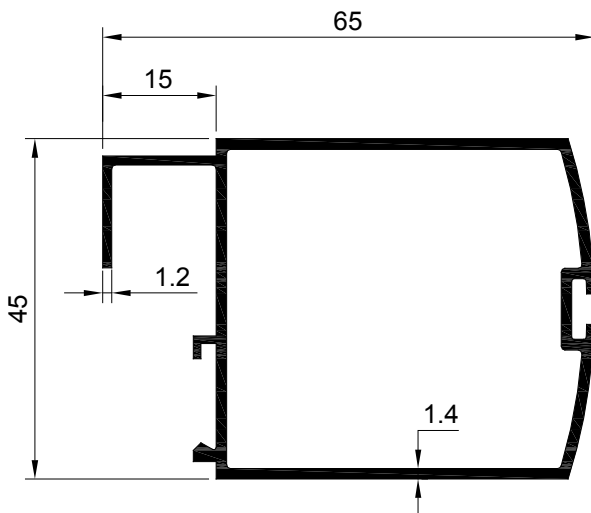
SECTION NO. - 100 D - 1917
EST. WEIGHT - 0.255 KG./M.



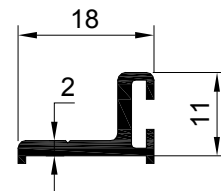
SECTION NO. - 100 D - 3503
EST. WEIGHT - 0.840 KG./M.



SECTION NO. - 100 D - 1914
EST. WEIGHT - 0.159 KG./M.

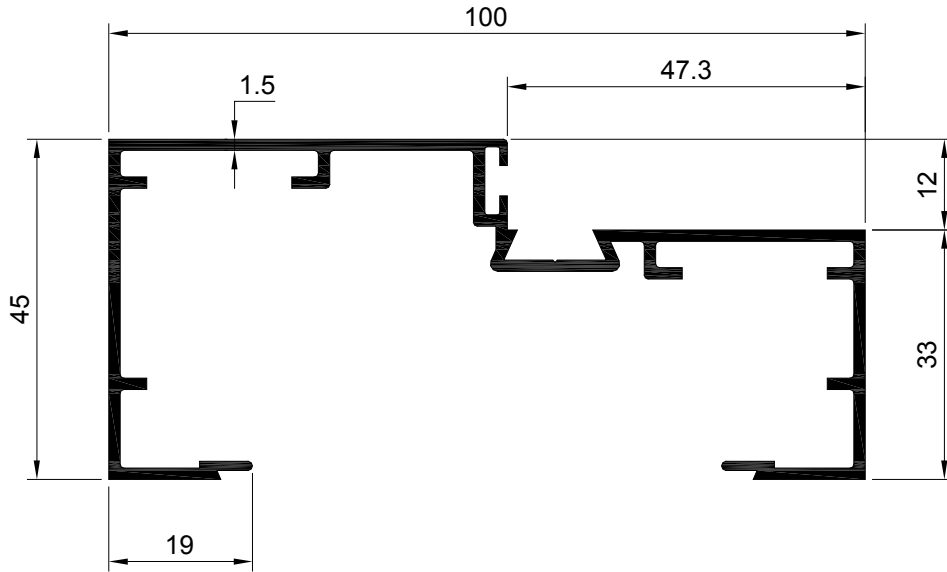


SECTION NO. - 100 D -3503 A
EST. WEIGHT - 0.830 KG./M.

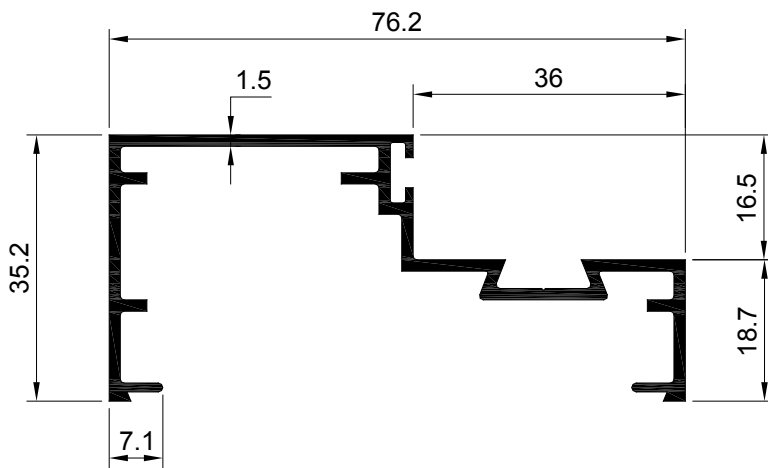


SECTION NO. - 70 D - 1910
EST. WEIGHT - 0.159 KG./M.

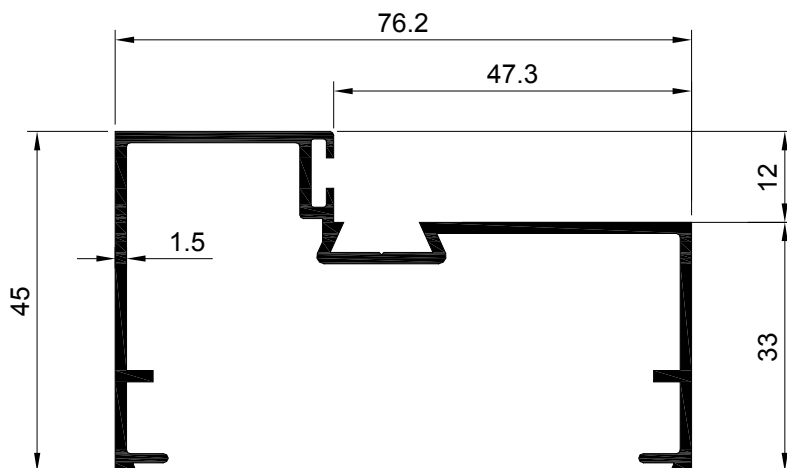
100mm Door



SECTION NO. - 100D - 3105
EST. WEIGHT - 1.100 KG./M.

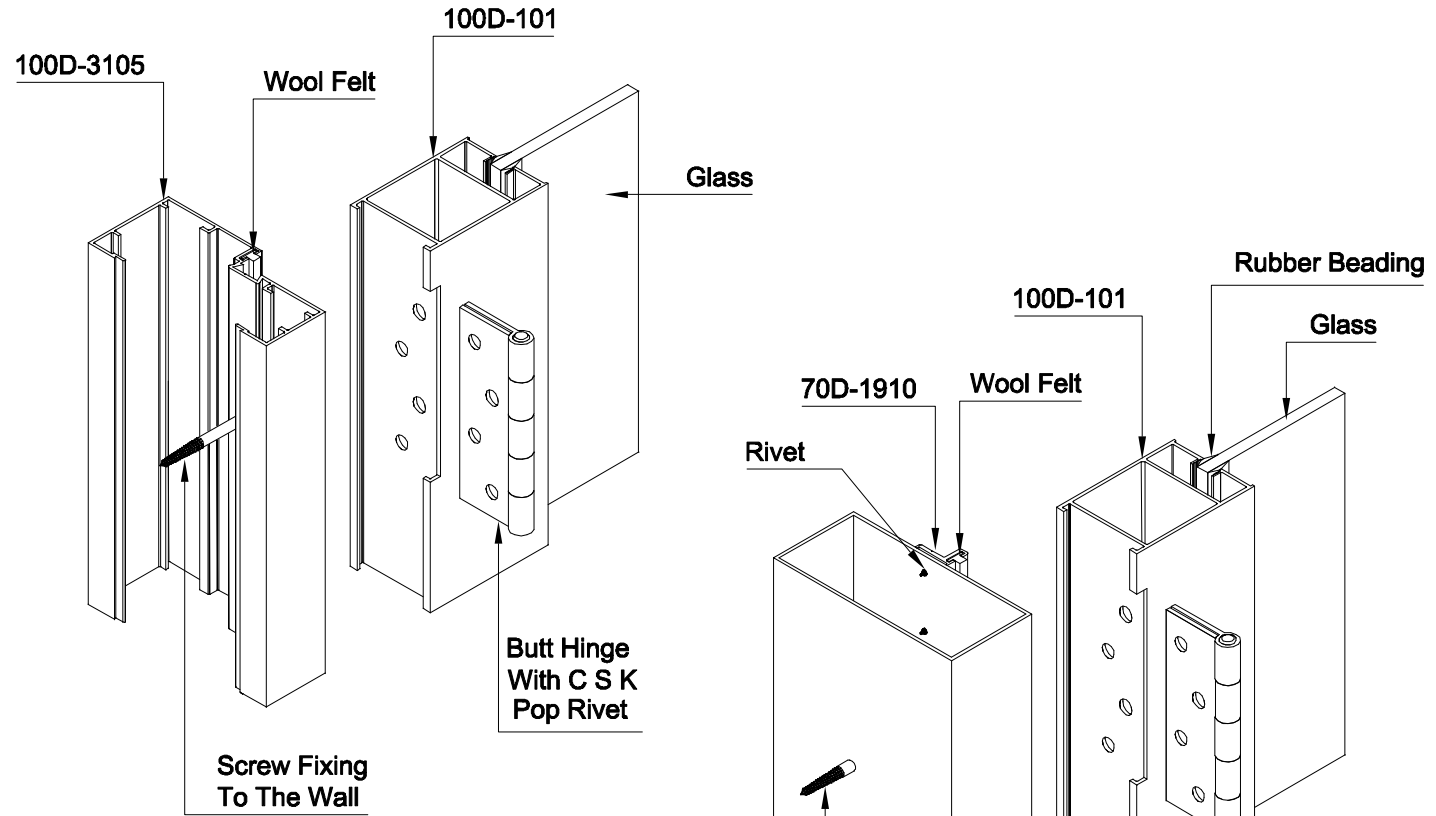


SECTION NO. - 76D - 3101
EST. WEIGHT - 0.754 KG./M.

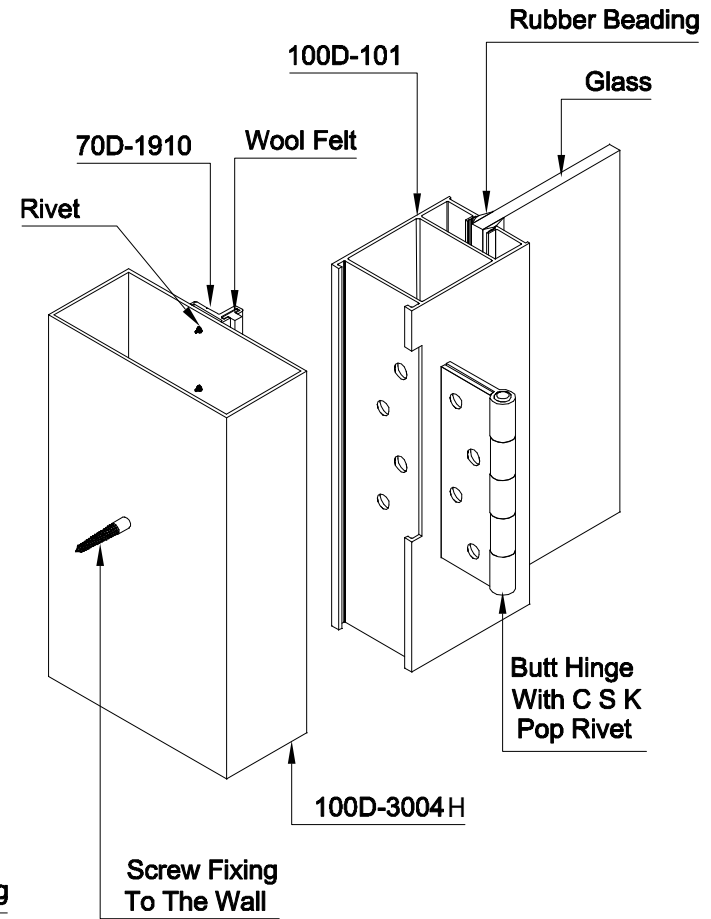


SECTION NO. - 76D-3102
EST. WEIGHT - 0.801 KG./M.

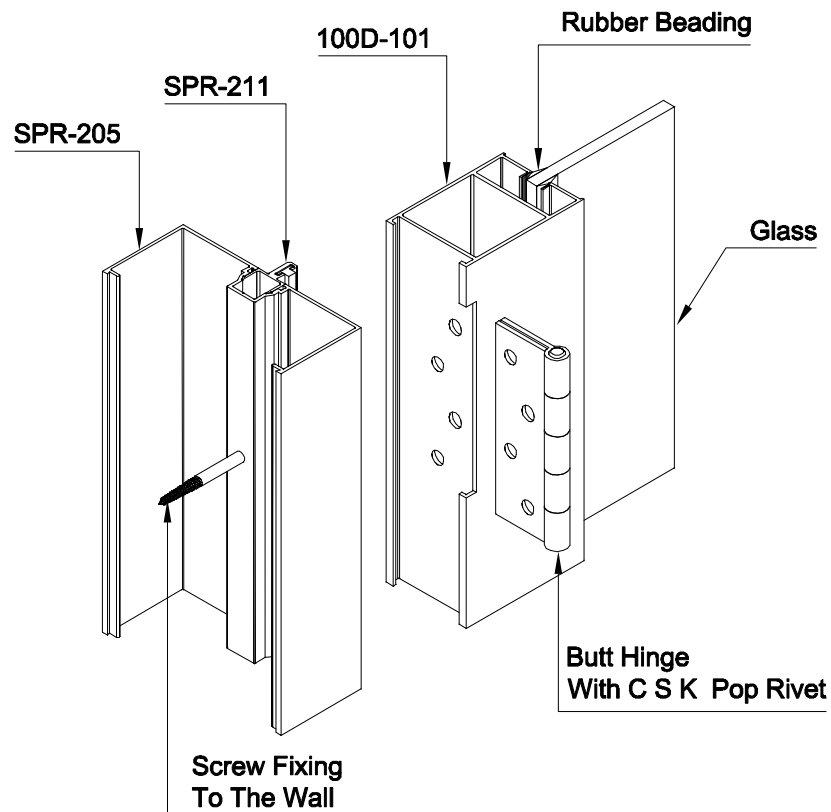
3D Assembly Detail Of Butt Hinge Door



Door Sash With 100D-3105

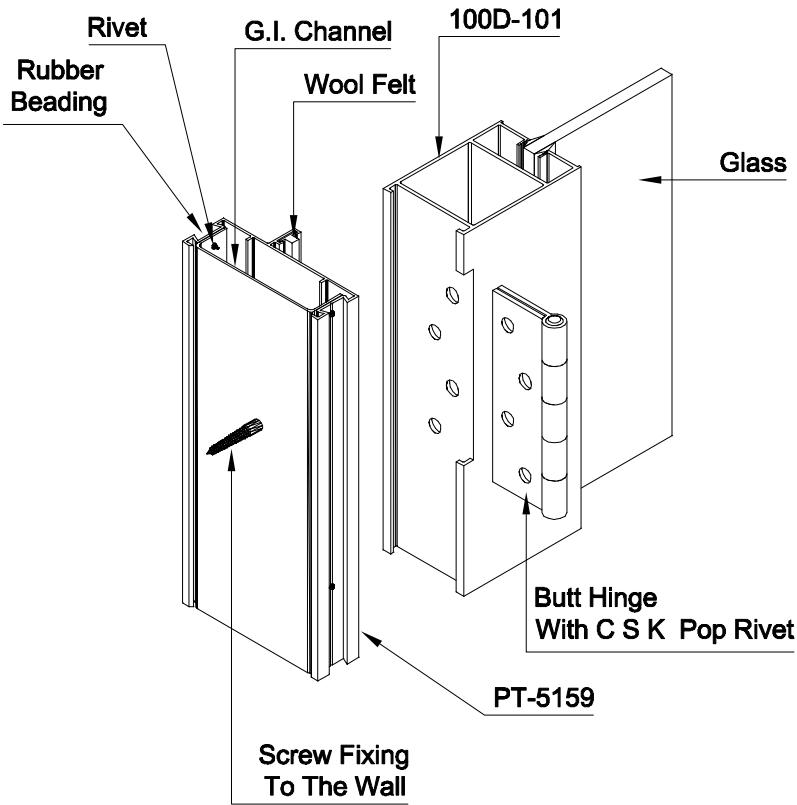


Door Sash With 100D-3004H

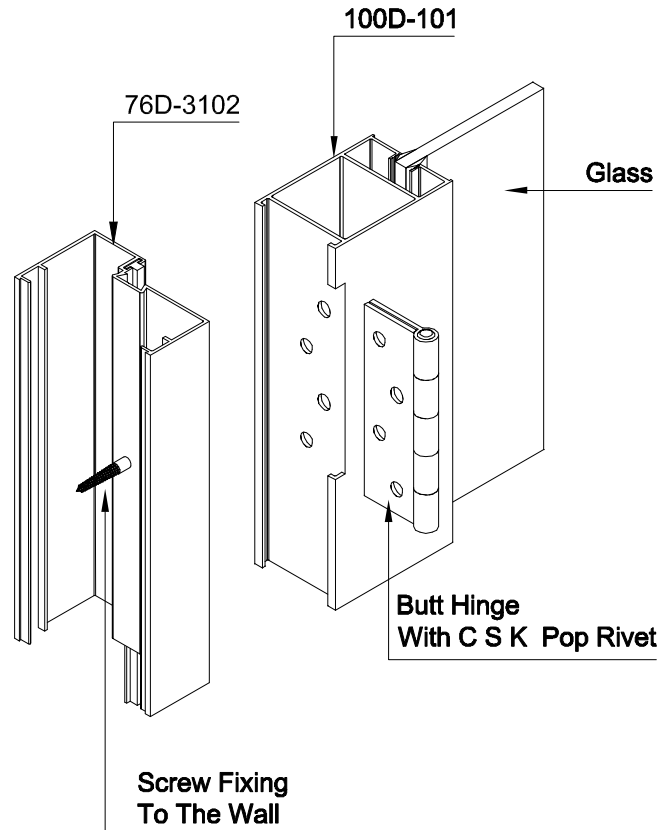


Door Sash With SPR-205

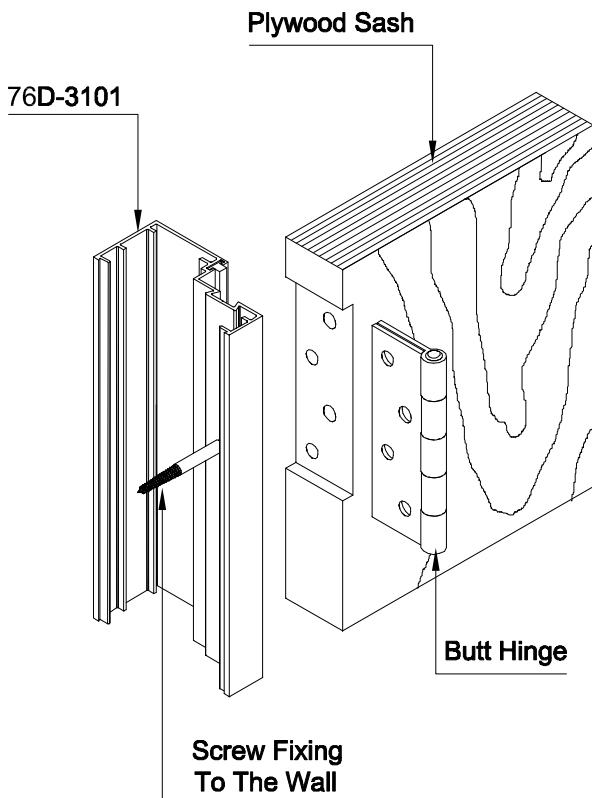
3D Assembly Detail Of Butt Hinge Door



Door Sash With PT-5159



Door Sash With 76D-3102



Plywood Sash With 76D-3101